

Pressure Gauges / General Purpose Gauges / Vacuum & Mano-Vacuum Gauges / Ø 63 mm.

**CONSTRUCTIVE PROPERTIES**

	STANDARD	OPTIONAL
Mounting Type	Bottom Connection	See Technical Drawing
Scale Unit	bar/psi	bar   psi   kg/cm <sup>2</sup>   (*)   inHg   inH <sub>2</sub> O   mmH <sub>2</sub> O   mmHg   Pa   atm
Scale Range (PN)	-1/24   -1 / 9   -1/5   -1/3   -1/1,5   -1/0,6   -1/0   -1/15	
Case	Steel (Black Enamelled)	Plastic
Window	Polycarbonate	-
Movement	Brass	-
Wetted Parts	Copper Alloy	-
Connection	G 1/4" B	1/4" NPT
Dial	Aluminum	-
Pointer	Plastic	Aluminum
Welding	Soldering	Hard Soldering

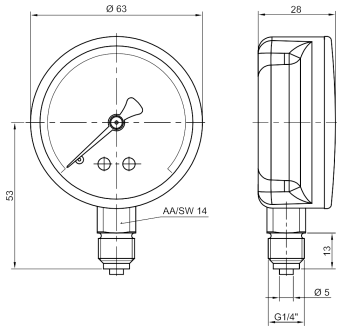


**MG063DRM1-V**  
Bottom Connection

**USAGE PROPERTIES**

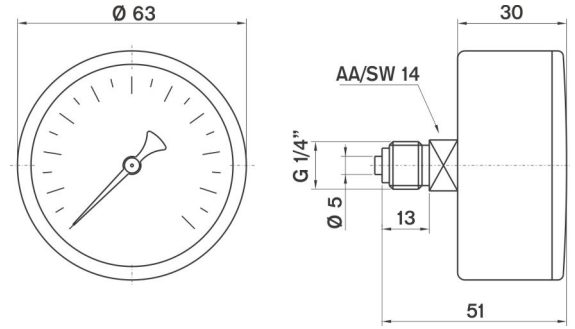
Fluid Temperature	Maximum + 60 °C	Maximum + 120 °C
Ambient Temperature	- 20 ... + 60 °C	-
Operating Pressure (max.)	Must not exceed %75' of full scale.	
Over Pressure Limit	≤40 bar PN x 1.25	>40 bar PN x 1.15
Accuracy Class	CL 2.5	CL 1.6
Protection Rate	IP 41	-
Optimum Operating Range	Between 0,1 x PN and 0,75 x PN	
Storage Temperature	-40 ... +70 °C	-
Conformity	EN 837 - 1	-
Mechanical Shock Test Load	15g	-
Mechanical Vibration Test	10 Hz ile 150 Hz -1 oktav/dk. 2s / 3 eksende	

Pressure Gauges / General Purpose Gauges / Vacuum & Mano-Vacuum Gauges / Ø 63 mm.



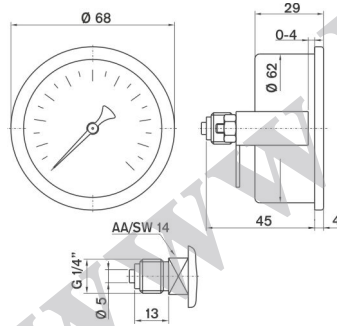
Model No: MG063DRP1-V14

Bottom Connection



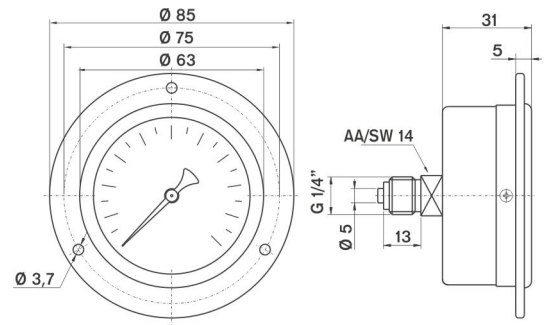
Model No: MG063DRP2-V14

Back Connection



Model No: MG063DRP3-V14

Back Connection Panel Mounted



Model No: MG063DRP6-V14

Back Connection with Front Flange